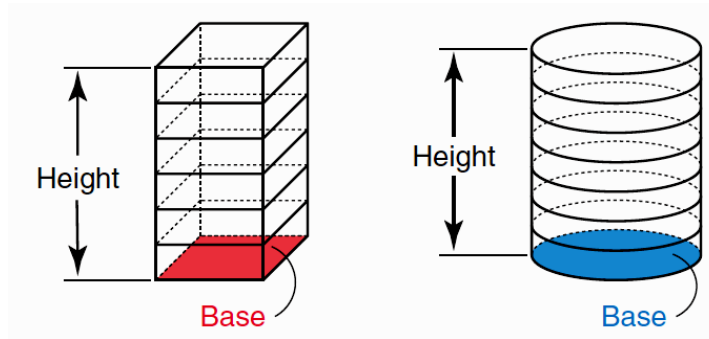
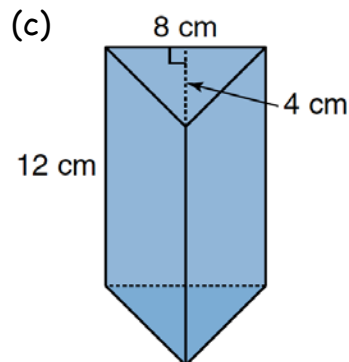
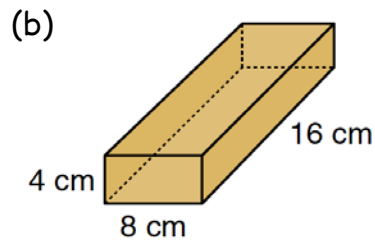
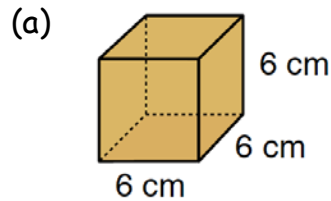


Worksheet 2-2: Volume of a Prism and Volume of a Cylinder



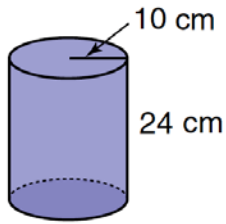
The volume of a prism is: $V = \text{base area} \times \text{height}$ The volume of a cylinder is: $V = \text{base area} \times \text{height}$

1. Determine the volume of each prism.

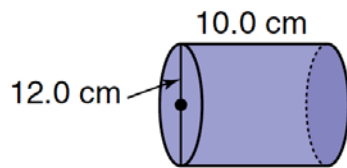


2. Determine the volume of each figure.

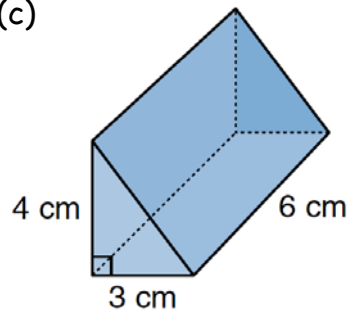
(a)



(b)



(c)



(d)

