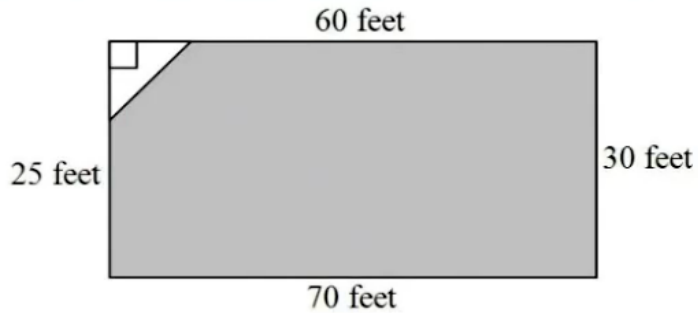
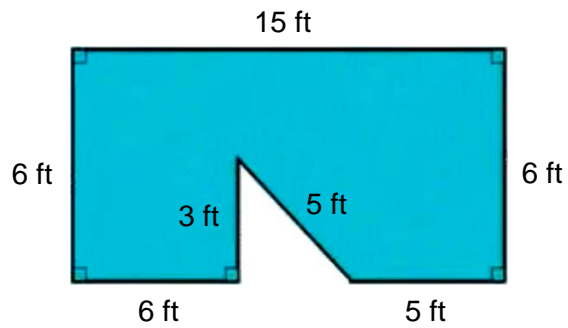


Problem Solving with Composite 2D Shapes

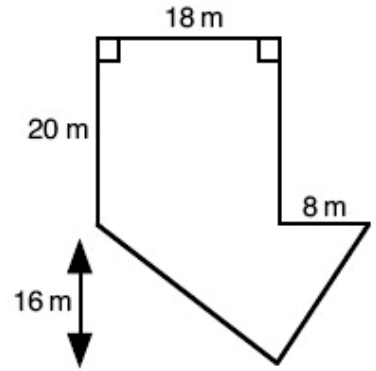
1. Find the area and perimeter of the given figure.



2. Find the area and perimeter of the given figure.



3. Determine the area and perimeter of the given figure.



4. Determine the area and perimeter of the given figure.

